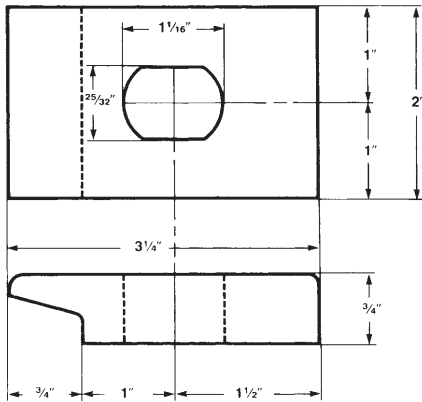
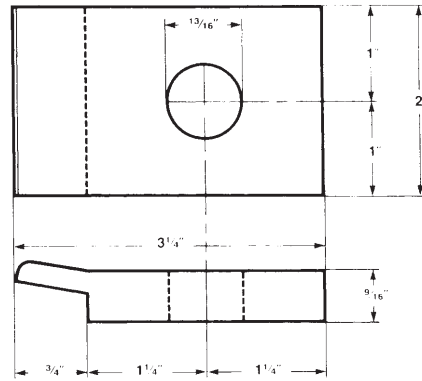


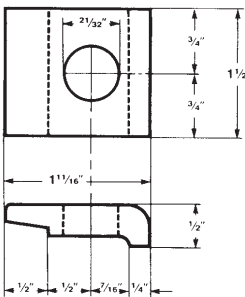
Rail Clips



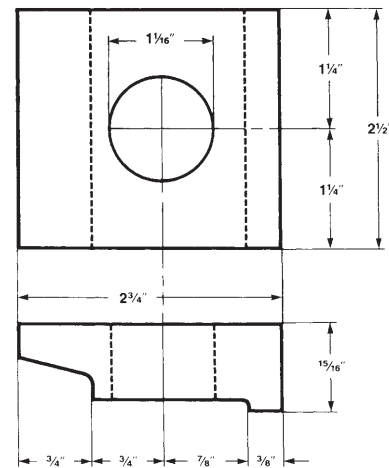
No. 106 Weight - 1.05 lbs.
For all sections 60 - 90 lb.



No. 120 Weight - .81 lbs.
For all sections 25 - 40 lb.



No. 114 Weight - .24 lbs.
For all sections 12 - 40 lb.

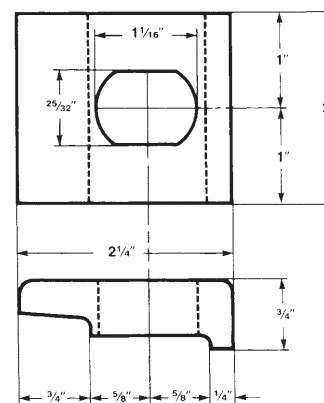


No. 62 Weight - 1.2 lbs.
For Crane rail sections 104, 105 & 135

CLIP NO.	CRANE RAIL SECTION	CENTERLINE RAIL TO:		HOLE DIA.
		A	B	
62	104-lb.	2 1/2"	3 1/4"	1 1/16"
62	105-lb.	2 19/32"	3 11/32"	1 1/16"
62	135-lb.	2 19/32"	3 11/32"	1 1/16"
171	171-lb.	3"	4"	1 1/16"
175	175-lb.	3"	4 1/8"	1 1/16"

Hole diameter and clip length standard as shown, but may be changed to meet special requirements

CLIP NO.	STANDARD TEE RAIL SECTIONS	HOLE SIZE
114	12 to 40-lb. ASCE	21/32" Dia.
120	25 to 50-lb. ASCE & ARA	13/16" Dia.
103	55 to 100-lb. ASCE	1 1/16" x 25/32"
106	60 to 100-lb. ASCE	1 1/16" x 25/32"
128	60 to 100-lb. ARA-B	1 1/16" x 25/32"
62	115, 131, and 132-lb. AREA	1 1/16" Dia.
62	130-lb. PS	1 1/16" Dia.



No. 103 Weight - .58 lbs.
For all sections 40 - 100 lb.

