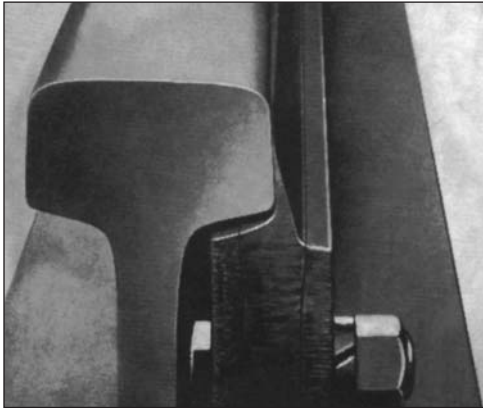


END VIEW OF COMMON STANDARD KNIFE-BLADE SWITCH POINT

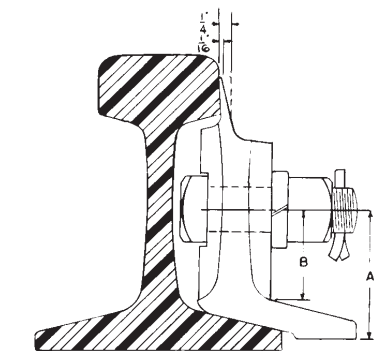


Knife blade points may be used for normal track use.

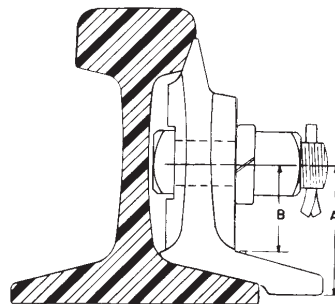
END VIEW OF SWITCH POINT CLOSED OPEN



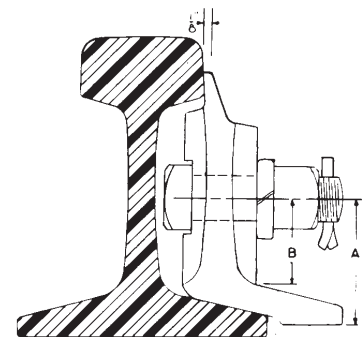
Unitrac Samson switch points and stock rails are used for heavy duty applications where knife-blade points may break down.



CHAMFERED DESIGN



SAMSON DESIGN



STANDARD DESIGN

