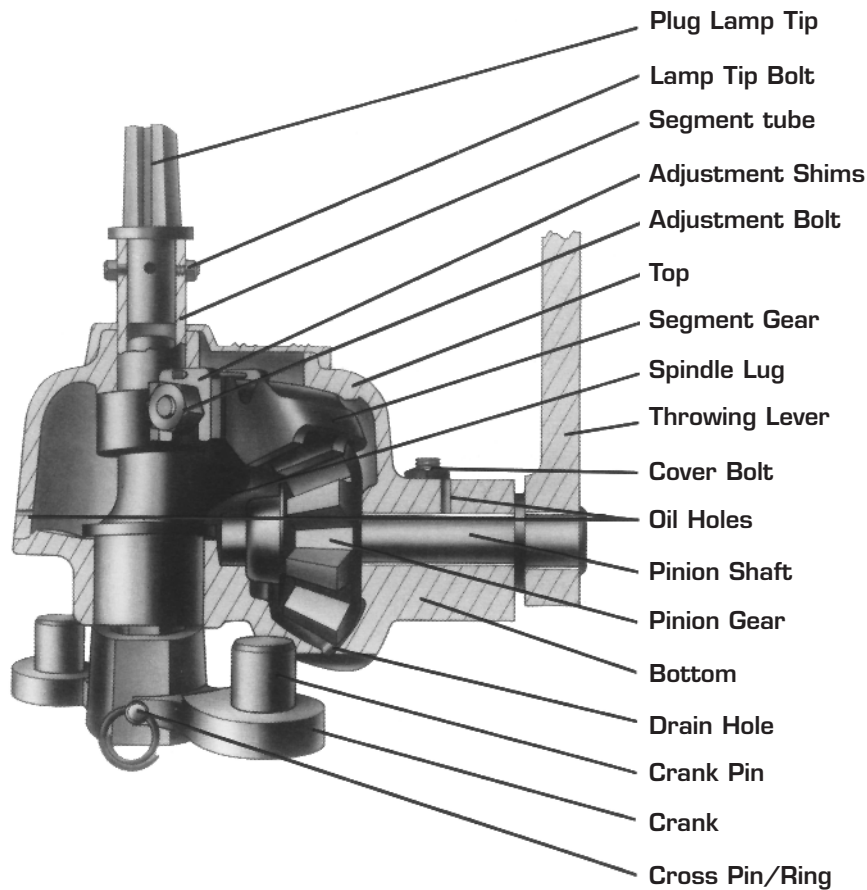


Switch Stands

MODEL 51

Model 51 stands are available in the low type (model 51A) and intermediate (model 51B). Rugged construction and ease of operation make them an excellent choice for use on main lines, sidings, and yard tracks.

Switch points can be adjusted independently of each other by use of shims(see drawing). The weighted throw lever assures positive closing of the switches when engaged with the foot latches.



Model 51-B

